

# MACRODYNE



## Single Acting Telescopic Cylinders

Phone:+86 519 85185518 E-mail: [sales@flutehydraulics.com](mailto:sales@flutehydraulics.com)

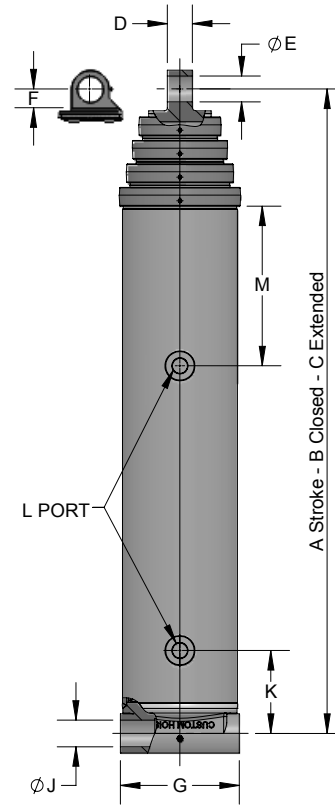
©2021 MACRODYNE

# 4000 Series

## Pin-Pin Mounting

### 4000 Series

- Self-bleeding design
- Pre-loaded v-packing with a self-adjusting wave spring energizer or an energized Z seal package as an option
- Threaded headnuts for added strength and field seal adjustment
- Longer bearing length for stability



Phone: +86 519 85185518    E-mail: [sales@flutechhydraulics.com](mailto:sales@flutechhydraulics.com)

©2021 MACRODYNE

# 4000 Series

## Pin-Pin Mounting

**MACRODYNE**

### 4000 Series

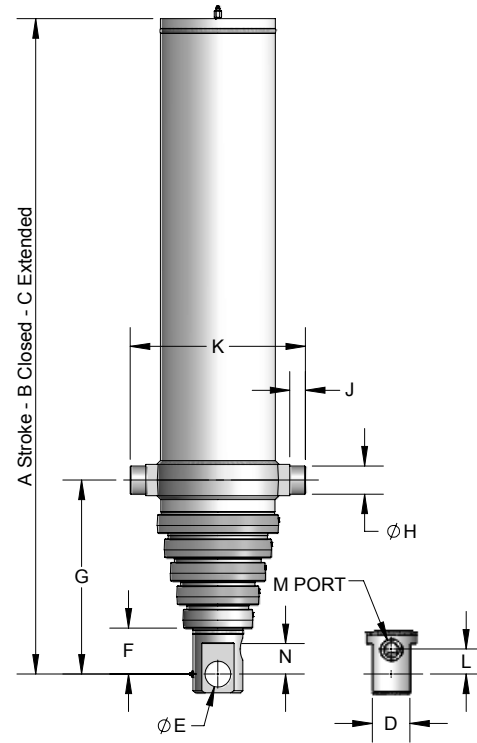
MODEL NUMBER	A		B		C		D		E		F		G		J		K		L	M		GAL of OIL		WEIGHT
	in	mm	in	mm	in	mm	in	mm	in	mm	in	mm	in	mm	in	mm	in	mm	PORT	in	mm	FILL	EXT	lbs
53-4459-128	125.94	3199	54.50	1384	180.44	4583	1.50	38	1.78	45	2.00	51	7.00	178	2.06	52	26.50	673	SAE #16	N/A	N/A	2.0	7.1	227
53-4531-130	126.13	3204	54.56	1386	180.69	4590	2.00	51	1.78	45	1.88	48	7.00	178	2.06	52	33.50	851	1" NPTF	N/A	N/A	2.0	7.1	234
53-4592-72	71.94	1827	36.62	930	108.56	2757	1.50	38	2.06	52	2.00	51	7.00	178	2.06	52	19.50	495	3/4" NPTF	N/A	N/A	1.3	4.0	155
53-4592-84	84.19	2138	41.12	1044	125.31	3183	1.50	38	2.06	52	2.00	51	7.00	178	2.06	52	19.50	495	3/4" NPTF	N/A	N/A	1.4	4.7	171
53-4592-106	106.06	2694	48.00	1219	154.06	3913	1.50	38	2.06	52	2.00	51	7.00	178	2.06	52	19.50	495	3/4" NPTF	N/A	N/A	1.7	6.0	208
63-4402-84	84.38	2143	41.00	1041	125.38	3185	2.00	51	2.06	52	1.75	44	7.00	178	2.13	54	19.50	495	1" NPTF	N/A	N/A	1.8	7.3	208
63-4402-104	103.75	2635	47.62	1210	151.37	3845	2.00	51	2.06	52	1.75	44	7.00	178	2.13	54	19.50	495	1" NPTF	N/A	N/A	2.1	9.0	241
63-4402-108	108.38	2753	49.00	1245	157.38	3997	2.00	51	2.06	52	1.75	44	7.00	178	2.13	54	19.50	495	1" NPTF	N/A	N/A	2.2	9.4	250
63-4402-120	120.38	3058	53.00	1346	173.38	4404	2.00	51	2.06	52	1.75	44	7.00	178	2.13	54	19.50	495	1" NPTF	N/A	N/A	2.4	10.4	278
63-4402-126	126.38	3210	55.00	1397	181.38	4607	2.00	51	2.06	52	1.75	44	7.00	178	2.13	54	19.50	495	1" NPTF	N/A	N/A	2.5	11.0	286
63-4402-132	132.38	3362	57.00	1448	189.38	4810	2.00	51	2.06	52	1.75	44	7.00	178	2.13	54	19.50	495	1" NPTF	N/A	N/A	2.7	11.5	290
63-4402-140	140.62	3572	59.75	1518	200.37	5089	2.00	51	2.06	52	1.75	44	7.00	178	2.13	54	19.50	495	1" NPTF	N/A	N/A	2.8	12.2	307
64-4435-135	134.75	3423	47.13	1197	181.88	4620	2.69	68	1.56	40	1.63	41	8.00	203	1.88	48	N/A	N/A	1" NPTF	4.50	114	2.5	9.7	272
64-4435-156	155.75	3956	52.38	1330	208.13	5286	2.69	68	1.56	40	1.63	41	8.00	203	1.88	48	N/A	N/A	1" NPTF	4.50	114	2.8	11.2	302
64-4467-156	155.75	3956	52.63	1337	208.38	5293	1.75	44	2.03	52	1.88	48	7.25	184	2.06	52	6.38	162	1" NPTF	5.00	127	2.8	11.2	300
73-4500-110	108.94	2767	49.88	1267	158.81	4034	2.00	51	2.06	52	1.75	44	8.63	219	2.13	54	6.50	165	1" NPTF	12.00	305	2.7	13.5	318
73-4500-118	117.19	2977	52.13	1324	169.31	4301	2.00	51	2.06	52	1.75	44	8.63	219	2.13	54	6.50	165	1" NPTF	12.00	305	2.8	14.5	332
73-4500-127	126.19	3205	55.13	1400	181.31	4605	2.00	51	2.06	52	1.75	44	8.63	219	2.13	54	6.50	165	1" NPTF	12.00	305	3.0	15.7	352
73-4500-142	141.19	3586	60.13	1527	201.31	5113	2.00	51	2.06	52	1.75	44	8.63	219	2.13	54	6.50	165	1" NPTF	12.00	305	3.3	17.5	380
73-4500-151	150.19	3815	63.13	1603	213.31	5418	2.00	51	2.06	52	1.75	44	8.63	219	2.13	54	6.50	165	1" NPTF	12.00	305	3.5	18.7	407
74-4401-120	119.94	3046	44.75	1137	164.69	4183	2.00	51	2.06	52	1.75	44	8.63	219	2.13	54	6.50	165	1" NPTF	12.00	305	2.8	12.6	309
74-4401-135	134.69	3421	48.25	1226	182.94	4647	2.00	51	2.06	52	1.75	44	8.63	219	2.13	54	6.50	165	1" NPTF	12.00	305	3.1	14.2	330
74-4401-140	139.69	3548	49.50	1257	189.19	4805	2.00	51	2.06	52	1.75	44	8.63	219	2.13	54	6.50	165	1" NPTF	12.00	305	3.2	14.8	346
74-4401-156	154.56	3926	53.38	1356	207.94	5282	2.00	51	2.06	52	1.75	44	8.63	219	2.13	54	6.50	165	1" NPTF	12.00	305	3.5	16.2	373
74-4401-161	159.56	4053	54.63	1387	214.19	5440	2.00	51	2.06	52	1.75	44	8.63	219	2.13	54	6.50	165	1" NPTF	12.00	305	3.6	16.8	384
74-4401-167	166.06	4218	56.25	1429	222.31	5647	2.00	51	2.06	52	1.75	44	8.63	219	2.13	54	6.50	165	1" NPTF	12.00	305	3.7	17.5	395
74-4401-180	179.06	4548	59.50	1511	238.56	6059	2.00	51	2.06	52	1.75	44	8.63	219	2.13	54	6.50	165	1" NPTF	12.00	305	4.0	18.9	415
84-4466-148	145.00	3683	51.50	1308	196.50	4991	2.00	51	2.06	52	1.75	44	9.50	241	2.13	54	6.50	165	1" NPTF	12.75	324	3.9	21.2	451
84-4466-156	153.00	3886	53.50	1359	206.50	5245	2.00	51	2.06	52	1.75	44	9.50	241	2.13	54	6.50	165	1" NPTF	12.75	324	4.1	22.4	474
84-4466-161	157.50	4001	54.88	1394	212.38	5394	2.00	51	2.06	52	1.75	44	9.50	241	2.13	54	6.50	165	1" NPTF	12.75	324	4.2	23.1	483
84-4466-170	167.00	4242	57.00	1448	224.00	5690	2.00	51	2.06	52	1.75	44	9.50	241	2.13	54	6.50	165	1" NPTF	12.75	324	4.4	24.5	504
84-4466-180	176.50	4483	59.50	1511	236.00	5994	2.00	51	2.06	52	1.75	44	9.50	241	2.13	54	6.50	165	1" NPTF	12.75	324	4.6	25.9	527
85-4402-170	168.63	4283	49.88	1267	218.50	5550	2.00	51	2.06	52	1.75	44	9.50	241	2.13	54	6.63	168	1" NPTF	12.75	324	4.2	21.3	462
85-4402-190	188.63	4791	53.88	1368	242.50	6160	2.00	51	2.06	52	1.75	44	9.50	241	2.13	54	6.63	168	1" NPTF	12.75	324	4.6	23.8	500
85-4402-200	198.62	5045	55.88	1419	254.50	6464	2.00	51	2.06	52	1.75	44	9.50	241	2.13	54	6.63	168	1" NPTF	12.75	324	4.9	25.3	519
85-4402-220	218.63	5553	59.88	1521	278.50	7074	2.00	51	2.06	52	1.75	44	9.50	241	2.13	54	6.63	168	1" NPTF	12.75	324	5.2	27.7	554
85-4402-235	234.25	5950	65.00	1651	299.25	7601	2.00	51	2.06	52	1.75	44	9.50	241	2.13	54	6.63	168	1" NPTF	12.75	324	5.8	29.7	611
85-4402-250	249.25	6331	68.00	1727	317.25	8058	2.00	51	2.06	52	1.75	44	9.50	241	2.13	54	6.63	168	1" NPTF	12.75	324	6.1	31.7	655
85-4453-265	263.63	6696	70.88	1800	334.50	8496	2.00	51	2.06	52	1.75	44	9.50	241	2.13	54	6.63	168	1" NPTF	12.75	324	5.6	33.9	664
85-4466-265	264.25	6712	74.38	1889	338.63	8601	2.00	51	2.06	52	1.75	44	9.50	241	2.13	54	6.63	168	1" NPTF	12.75	324	6.8	33.7	710
85-4466-280	279.25	7093	77.50	1969	356.75	9061	2.00	51	2.06	52	1.75	44	9.50	241	2.13	54	6.63	168	1" NPTF	12.75	324	7.1	35.7	746
85-4466-285	284.25	7220	78.50	1994	362.75	9214	2.00	51	2.06	52	1.75	44	9.50	241	2.13	54	6.63	168	1" NPTF	12.75	324	7.2	36.4	758
95-4461-220	219.63	5578	60.88	1546	280.50	7125	2.00	51	2.06	52	1.75	44	10.69	271	2.13	54	13.50	343	1" NPTF	12.75	324	6.6	38.0	723
95-4461-235	232.75	5912	65.00	1651	297.75	7563	2.00	51	2.06	52	1.75	44	10.69	271	2.13	54	6.50	165	1" NPTF	12.75	324	7.2	40.1	783
95-4461-250	249.88	6347	72.63	1845	322.50	8192	2.00	51	2.06	52	1.75	44	10.69	271	2.13	54	6.50	165	1" NPTF	12.75	324	8.2	43.6	891
95-4461-265	264.88	6728	75.63	1921	340.50	8649	2.00	51	2.06	52	1.75	44	10.69	271	2.13	54	6.50	165	1" NPTF	12.75	324	8.6	46.3	934
95-4461-280	279.88	7109	78.63	1997	358.50	9106	2.00	51	2.06	52	1.75	44	10.69	271	2.13	54	6.50	165	1" NPTF	12.75	324	8.9	48.9	956
95-4461-300	299.88	7617	82.63	2099	382.50	9716	2.00	51	2.06	52	1.75	44	10.69	271	2.13	54	6.50	165	1" NPTF	12.75	324	9.5	52.4	1002
95-4509-340	338.94	8609	87.00	2210	425.94	10819	2.00	51	2.06	52	1.75	44	10.69	271	2.13	54	6.50	165	1" NPTF	N/A	N/A	8.9	59.3	1078

Phone: +86 519 85185518    E-mail: [sales@flutehydraulics.com](mailto:sales@flutehydraulics.com)

©2021 MACRODYNE

### 4000 Series Invert Mount

- Trunnion to Pin Mounting
- Self-bleeding design
- Pre-loaded v-packing with a self-adjusting wave spring energizer or an energized Z seal package as an option
- Threaded headnuts for added strength and field seal adjustment
- Longer bearing length for stability



### 4000 Series

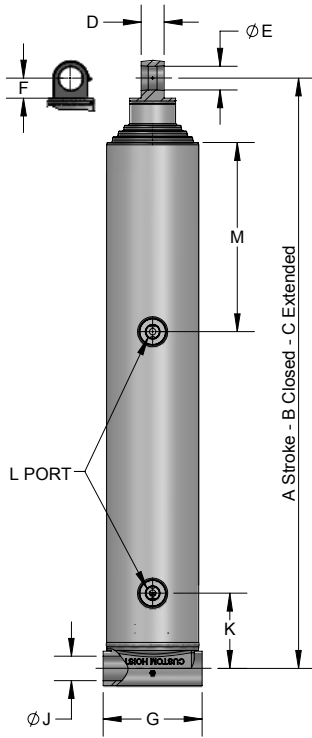
#### Invert Mount

MODEL NUMBER	A		B		C		D		E		F		G		H		J		K		L		M		N		GAL of OIL		WEIGHT
	in	mm	in	mm	in	mm	in	mm	in	mm	in	mm	in	mm	in	mm	in	mm	in	mm	in	mm	PORT	in	mm	FILL	EXT	lbs	
63-4582-140	139.88	3553	60.00	1524	199.88	5077	4.00	102	1.56	40	3.44	87	14.38	365	1.75	44	1.69	43	12.38	314	2.00	51	1" NPTF	N/A	N/A	4.7	12.2	332	
85-4499-200	199.88	5077	56.38	1432	256.25	6509	3.00	76	2.06	52	3.75	95	15.50	394	2.25	57	1.25	32	14.00	356	2.00	51	1" NPTF	2.50	64	6.6	25.6	522	
85-4499-220	219.88	5585	60.38	1534	280.25	7118	3.00	76	2.06	52	3.75	95	15.50	394	2.25	57	1.25	32	14.00	356	2.00	51	1" NPTF	2.50	64	7.3	28.2	571	
85-4499-235	234.88	5966	65.38	1661	300.25	7626	3.00	76	2.06	52	3.75	95	15.50	394	2.25	57	1.25	32	14.00	356	2.00	51	1" NPTF	2.50	64	7.8	30.1	646	
85-4499-250	249.88	6347	68.38	1737	318.25	8084	3.00	76	2.06	52	3.75	95	15.50	394	2.25	57	1.25	32	14.00	356	2.00	51	1" NPTF	2.50	64	8.2	32.0	664	
85-4499-265	264.88	6728	74.88	1902	339.75	8630	3.00	76	2.06	52	3.75	95	15.50	394	2.25	57	1.25	32	14.00	356	2.00	51	1" NPTF	2.50	64	8.7	33.9	734	
85-4499-280	279.88	7109	77.88	1978	357.75	9087	3.00	76	2.06	52	3.75	95	15.50	394	2.25	57	1.25	32	14.00	356	2.00	51	1" NPTF	2.50	64	9.2	35.8	776	

# 5000 Series

## Pin-Pin Mounting

**MACRODYNE**



### 5000 Series

- Hybrid design utilizing large tube sizes with European look
- Single high performance u-cup seal with v-packing
- 'Z' seal option available
- Heavy duty wiper
- No seal adjustment needed
- Increased overlap between stages
- Snap-in retaining ring
- Chrome plating optional

### 5000 Series

MODEL NUMBER	A		B		C		D		E		F		G		J		K		L		M		GAL of OIL		WEIGHT
	in	mm	in	mm	in	mm	in	mm	in	mm	in	mm	in	mm	in	mm	in	mm	PORT	in	mm	FILL	EXT	lbs	
63-5402-120	120.38	3058	53.00	1346	173.38	4404	2.00	51	2.06	52	1.75	44	7.00	178	2.13	54	19.50	495	1" NPTF	N/A	N/A	3.7	10.5	273	
63-5402-140	140.62	3572	59.75	1518	200.37	5089	2.00	51	2.06	52	1.75	44	7.00	178	2.13	54	19.50	495	1" NPTF	N/A	N/A	4.3	12.3	306	
74-5401-135	134.69	3421	48.25	1226	182.94	4647	2.00	51	2.06	52	1.75	44	8.63	219	2.13	54	6.50	165	1" NPTF	12.00	305	4.4	14.7	329	
74-5401-156	154.56	3926	53.38	1356	207.94	5282	2.00	51	2.06	52	1.75	44	8.63	219	2.13	54	6.50	165	1" NPTF	12.00	305	5.1	16.8	363	
74-5401-167	166.06	4218	56.25	1429	222.31	5647	2.00	51	2.06	52	1.75	44	8.63	219	2.13	54	6.50	165	1" NPTF	12.00	305	5.4	18.1	383	
85-5402-170	168.56	4281	49.88	1267	218.44	5548	2.00	51	2.06	52	1.75	44	9.50	241	2.13	54	6.63	168	1" NPTF	12.75	324	3.7	21.8	473	
85-5402-190	188.56	4789	53.88	1368	242.44	6158	2.00	51	2.06	52	1.75	44	9.50	241	2.13	54	6.63	168	1" NPTF	12.75	324	4.0	24.4	512	
85-5402-200	198.56	5043	55.88	1419	254.44	6463	2.00	51	2.06	52	1.75	44	9.50	241	2.13	54	6.63	168	1" NPTF	12.75	324	4.2	25.6	530	
85-5402-220	218.56	5551	59.88	1521	278.44	7072	2.00	51	2.06	52	1.75	44	9.50	241	2.13	54	6.63	168	1" NPTF	12.75	324	4.6	28.2	565	
85-5402-235	234.19	5948	65.00	1651	299.19	7599	2.00	51	2.06	52	1.75	44	9.50	241	2.13	54	6.63	168	1" NPTF	12.75	324	5.0	29.6	633	
85-5402-250	249.19	6329	68.00	1727	317.19	8057	2.00	51	2.06	52	1.75	44	9.50	241	2.13	54	6.63	168	1" NPTF	12.75	324	5.3	31.6	677	
95-5461-265	264.88	6728	75.63	1921	340.50	8649	2.00	51	2.06	52	1.75	44	10.69	271	2.13	54	6.50	165	1" NPTF	12.75	324	7.3	48.1	946	
95-5461-280	279.88	7109	78.63	1997	358.50	9106	2.00	51	2.06	52	1.75	44	10.69	271	2.13	54	6.50	165	1" NPTF	12.75	324	7.7	50.7	968	

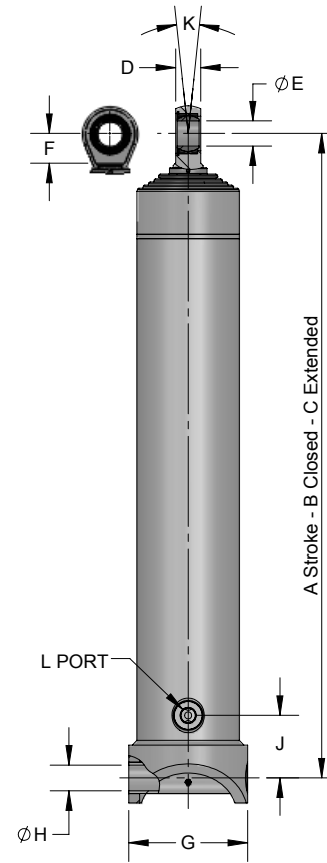
Please consult factory or your Regional Sales Manager for additional models.

Phone: +86 519 85185518 E-mail: [sales@flutechhydraulics.com](mailto:sales@flutechhydraulics.com)

©2021 MACRODYNE

### 2500 Series

- Weighs less than most cylinders of similar design
- Chrome-plated LPA
- Optional self-aligning bearing
- Lifting capacity comparable to other brands
- Dual-lip wiper prevent contamination entry
- Fits a variety of dump body & trailer applications
- 2800 - 3500 PSI operating pressure
- Self-bleeding design
- State of the art u-cups



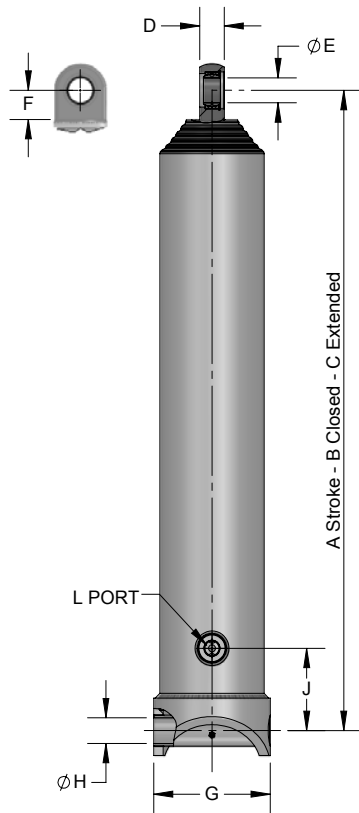
### 2500 Series

MODEL NUMBER	A		B		C		D		E		F		G		H		J	K	L	GAL of OIL		WEIGHT lbs	
	in	mm	in	mm	in	mm	in	mm	in	mm	in	mm	in	mm	in	mm				FILL	EXT		
1213-2502-2755	108.50	2756	50.50	1283	159.00	4039	1.63	41	2.00	51	2.19	56	6.69	170	2.06	52	13.00	330	12°	1" NPTF	0.9	6.0	204
1403-2504-3205	125.13	3178	56.50	1435	181.63	4613	1.63	41	2.00	51	2.19	56	8.63	219	2.06	52	14.75	375	12°	1" NPTF	1.2	9.8	287
1403-2509-3032	119.38	3032	53.00	1346	172.38	4378	2.00	51	2.06	52	1.75	44	7.63	194	2.06	52	19.50	495	N/A	1" NPTF	1.2	9.3	273
1403-2509-3185	125.38	3185	55.00	1397	180.38	4582	2.00	51	2.06	52	1.75	44	7.63	194	2.06	52	19.50	495	N/A	1" NPTF	1.2	9.8	282
1403-2509-3546	139.63	3546	59.75	1518	199.38	5064	2.00	51	2.06	52	1.75	44	7.63	194	2.06	52	19.50	495	N/A	1" NPTF	1.4	10.9	303
1404-2506-3680	142.25	3613	50.50	1283	192.75	4896	1.63	41	2.00	51	2.19	56	8.63	219	2.06	52	13.00	330	12°	1" NPTF	1.3	9.5	286
1624-2509-4280	166.25	4223	56.50	1435	222.75	5658	1.63	41	2.00	51	2.19	56	9.50	241	2.06	52	6.69	170	12°	1" NPTF	1.8	15.4	387
1624-2511-3680	142.25	3613	50.50	1283	192.75	4896	1.63	41	2.00	51	2.19	56	9.50	241	2.06	52	6.69	170	12°	1" NPTF	1.5	13.2	349
1624-2518-3416	134.50	3416	48.25	1226	182.75	4642	2.00	51	2.06	52	1.75	44	8.63	219	2.06	52	6.50	165	N/A	1" NPTF	1.4	12.5	346
1624-2518-3924	154.50	3924	53.38	1356	207.88	5280	2.00	51	2.06	52	1.75	44	8.63	219	2.06	52	6.50	165	N/A	1" NPTF	1.6	14.4	379
1624-2518-4216	166.00	4216	56.25	1429	222.25	5645	2.00	51	2.06	52	1.75	44	8.63	219	2.06	52	6.50	165	N/A	1" NPTF	1.8	15.4	397
1854-2508-3759	143.75	3651	51.50	1308	195.25	4959	2.00	51	2.00	51	2.38	60	9.50	241	2.06	52	5.00	127	N/A	1" NPTF	1.9	17.7	421
1854-2508-3962	151.75	3854	53.50	1359	205.25	5213	2.00	51	2.00	51	2.38	60	9.50	241	2.06	52	5.00	127	12°	1" NPTF	2.1	21.0	437
1854-2508-4089	157.25	3994	54.88	1394	212.13	5388	2.00	51	2.00	51	2.38	60	9.50	241	2.06	52	5.00	127	N/A	1" NPTF	1.9	17.7	445
1854-2508-4318	165.75	4210	57.00	1448	222.75	5658	2.00	51	2.00	51	2.38	60	9.50	241	2.06	52	5.00	127	12°	1" NPTF	2.1	21.0	463
1854-2508-4572	179.75	4566	60.50	1537	240.25	6102	2.00	51	2.00	51	2.38	60	9.50	241	2.06	52	5.00	127	12°	1" NPTF	2.2	22.3	481
1855-2509-5355	207.88	5280	56.75	1441	264.63	6721	1.63	41	2.00	51	2.19	56	10.25	260	2.06	52	6.69	170	12°	1" NPTF	2.4	22.8	502
1855-2510-4826	190.00	4826	53.88	1368	243.88	6194	2.00	51	2.00	51	2.38	60	9.50	241	2.06	52	10.00	254	12°	1" NPTF	2.2	21.0	474
1855-2510-5588	220.00	5588	59.88	1521	279.88	7109	2.00	51	2.00	51	2.38	60	9.50	241	2.06	52	10.00	254	12°	1" NPTF	2.5	24.2	522
1855-2510-5969	235.00	5969	65.00	1651	300.00	7620	2.00	51	2.00	51	2.38	60	9.50	241	2.06	52	10.00	254	12°	1" NPTF	2.7	25.8	562
1855-2510-6350	250.00	6350	68.00	1727	318.00	8077	2.00	51	2.00	51	2.38	60	9.50	241	2.06	52	10.00	254	12°	1" NPTF	2.8	27.5	586
1855-2510-6731	265.00	6731	70.88	1800	335.88	8531	2.00	51	2.00	51	2.38	60	9.50	241	2.06	52	10.00	254	12°	1" NPTF	3.0	29.1	613
1855-2510-7112	276.88	7033	72.25	1835	349.13	8868	2.00	51	2.00	51	2.38	60	9.50	241	2.06	52	10.00	254	12°	1" NPTF	3.1	30.4	644
2075-2505-7112	280.00	7112	72.25	1835	352.25	8947	2.00	51	2.00	51	2.38	60	10.63	270	2.06	52	6.57	167	12°	1" NPTF	3.7	40.5	754
2075-2505-7620	300.00	7620	76.25	1937	376.25	9557	2.00	51	2.00	51	2.38	60	10.63	270	2.06	52	6.57	167	12°	1" NPTF	4.0	43.4	816

# 2600 Series

Euro-Design

**MACRODYNE**



## 2600 Series

- Exact Euro cylinder design
- 110/130/150/170/190mm (4.33-7.48") stage diameters
- Strokes up to 400"
- Single-piece (no welds) plungers
- Cascading umbrella wipers
- Self-bleeding design
- System pressures to 3,500 PSI
- Chrome plated stages optional
- Optional spherical bearing

## 2600 Series

MODEL NUMBER	A		B		C		D		E		F		G		H		J		L	GAL of OIL		WEIGHT
	in	mm	in	mm	in	mm	in	mm	in	mm	in	mm	in	mm	in	mm	in	mm	PORT	FILL	EXT	lbs
1503-2601-2755	107.00	2718	50.50	1283	157.50	4001	2.00	51	2.06	52	1.75	44	8.63	219	2.06	52	6.63	168	1" NPTF	0.8	9.5	237
1503-2601-3226	126.50	3213	57.00	1448	183.50	4661	2.00	51	2.06	52	1.75	44	8.63	219	2.06	52	6.63	168	1" NPTF	0.9	11.3	268
1904-2601-3760	147.75	3753	52.00	1321	199.75	5074	2.00	51	2.06	52	1.75	44	9.50	241	2.06	52	6.63	168	1" NPTF	1.5	20.1	490
1904-2601-3980	156.75	3981	54.25	1378	211.00	5359	2.00	51	2.06	52	1.75	44	9.50	241	2.06	52	6.63	168	1" NPTF	1.6	21.4	510
1904-2601-4260	167.75	4261	57.00	1448	224.75	5709	2.00	51	2.06	52	1.75	44	9.50	241	2.06	52	6.63	168	1" NPTF	1.7	22.9	535
1905-2601-5790	227.88	5788	60.75	1543	288.63	7331	2.00	51	2.06	52	1.75	44	9.50	241	2.06	52	6.63	168	1" NPTF	2.1	27.7	601
1905-2601-6731	265.00	6731	70.88	1800	335.88	8531	2.00	51	2.06	52	1.75	44	9.50	241	2.06	52	6.63	168	1" NPTF	2.5	32.3	674
2155-2601-5588	220.00	5588	60.13	1527	280.13	7115	2.00	51	2.06	52	1.75	44	10.63	270	2.06	52	6.56	167	1" NPTF	2.2	34.7	697

Please consult factory or your Regional Sales Manager for additional models.

Phone: +86 519 85185518 E-mail: [sales@flutechhydraulics.com](mailto:sales@flutechhydraulics.com)

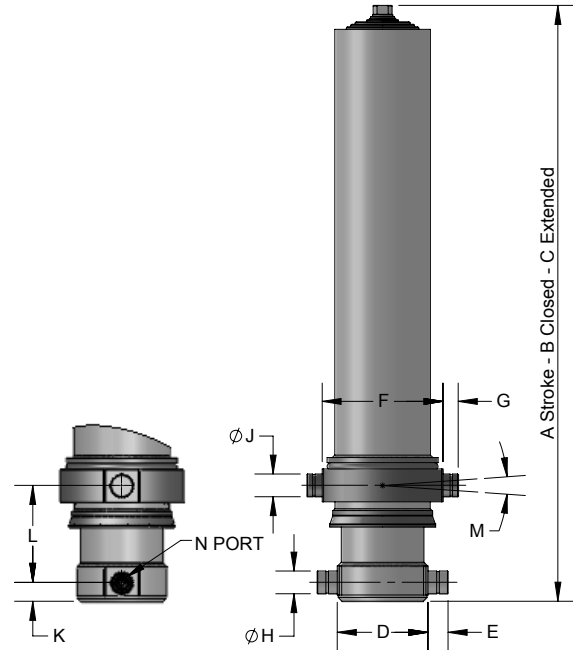
©2021 MACRODYNE

# 3000 Series

## Trunnion Mount

### 3000 Series

- 23% more lifting capacity
- Chrome-plated plungers
- Optional nitrided plungers
- Domestically manufactured and stocked for immediate shipment
- Oscillating trunnion collar reduces side loading
- O.D. sealed with state of the art u-cups
- Pin Ported



### 3000 Series

MODEL NUMBER	A		B		C		D		E		F		G		H		J		K		L		M	N	GAL of OIL		WEIGHT
	in	mm	in	mm	in	mm	in	mm	in	mm	in	mm	in	mm	in	mm	in	mm	in	mm	in	mm	TILT	PORT	FILL	EXT	lbs
5.53-3006-120	120.00	3048	55.50	1410	175.50	4458	7.00	178	2.00	51	9.00	229	1.25	32	1.87	48	1.87	48	1.63	41	6.38	162	8°	SAE #12	1.2	9.3	375
5.53-3006-130	130.13	3305	58.88	1495	189.00	4801	7.00	178	2.00	51	9.00	229	1.25	32	1.87	48	1.87	48	1.63	41	6.38	162	8°	SAE #12	1.3	10.1	384
5.53-3006-140	139.88	3553	62.13	1578	202.00	5131	7.00	178	2.00	51	9.00	229	1.25	32	1.87	48	1.87	48	1.63	41	6.38	162	8°	SAE #12	1.4	10.9	414
6.54-3010-150	150.00	3810	54.75	1391	204.75	5201	8.00	203	2.00	51	10.19	259	1.50	38	2.25	57	2.25	57	1.88	48	7.63	194	3°	SAE #16	1.6	13.9	472
6.54-3010-160	160.00	4064	57.25	1454	217.25	5518	8.00	203	2.00	51	10.19	259	1.50	38	2.25	57	2.25	57	1.88	48	7.63	194	3°	SAE #16	1.7	14.9	498
6.54-3010-170	170.00	4318	59.75	1518	229.75	5836	8.00	203	2.00	51	10.19	259	1.50	38	2.25	57	2.25	57	1.88	48	7.63	194	3°	SAE #16	1.8	15.8	509
6.54-3010-180	180.00	4572	62.25	1581	242.25	6153	8.00	203	2.00	51	10.19	259	1.50	38	2.25	57	2.25	57	1.88	48	7.63	194	3°	SAE #16	1.9	16.7	538

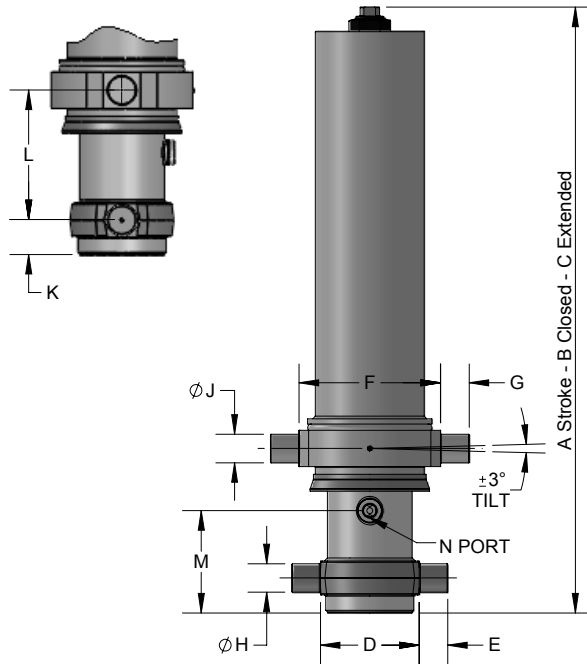
Please consult factory or your Regional Sales Manager for additional models.



# 1500 Series

## Trunnion Mount

**MACRODYNE**



### 1500 Series

- European style trunnion mount
- Body Ported
- Oscillating trunnion collar reduces side loading
- O.D. sealed with state of the art u-cups
- Fits a variety of dump body applications

### 1500 Series

MODEL NUMBER	A		B		C		D		F		G		J		K		L		M		N	GAL of OIL		WEIGHT
	in	mm	in	mm	in	mm	in	mm	in	mm	in	mm	in	mm	in	mm	in	mm	in	mm		PORT	FILL	
1403-1508-4270	168.00	4267	69.25	1759	237.25	6026	8.23	209	13.38	340	2.38	60	2.49	63	2.75	70	12.63	321	6.48	165	1" BSP	1.6	13.1	572
1404-1512-4280	168.25	4274	54.00	1372	222.25	5645	8.23	209	13.38	340	2.38	60	2.49	63	2.75	70	12.63	321	6.48	165	1" BSP	1.5	11.3	495
1404-1512-4640	182.75	4642	57.75	1467	240.50	6109	8.23	209	13.38	340	2.38	60	2.49	63	2.75	70	12.63	321	6.48	165	1" BSP	1.7	12.2	522
1404-1513-5200	204.25	5188	63.00	1600	267.25	6788	7.40	188	13.38	340	2.00	51	2.49	63	2.75	70	12.63	321	6.48	165	1" BSP	1.9	13.7	577
1404-1513-5600	219.25	5569	66.75	1695	286.00	7264	7.40	188	13.38	340	2.00	51	2.49	63	2.75	70	12.63	321	6.48	165	1" BSP	2.0	14.7	611
1624-1509-4280	168.25	4274	54.00	1372	222.25	5645	9.51	242	13.38	340	2.76	70	2.49	63	3.35	85	12.63	321	6.48	165	1" BSP	1.8	15.6	574
1624-1509-4640	182.50	4636	57.75	1467	240.25	6102	9.51	242	13.38	340	2.76	70	2.49	63	3.35	85	12.63	321	6.48	165	1" BSP	1.9	16.9	606
1624-1509-5190	204.00	5182	63.88	1622	267.88	6804	9.51	242	13.38	340	2.76	70	2.49	63	3.35	85	12.63	321	6.48	165	1" BSP	2.2	18.9	658
1624-1509-5460	215.00	5461	66.63	1692	281.63	7153	9.51	242	13.38	340	2.76	70	2.49	63	3.35	85	12.63	321	6.48	165	1" BSP	2.3	20.0	681
1625-1505-5625	221.25	5620	55.88	1419	277.13	7039	9.25	235	12.52	318	1.96	50	2.36	60	3.35	85	12.63	321	6.48	165	1" BSP	2.2	17.9	637
1625-1505-5850	230.38	5852	55.00	1397	285.38	7249	9.25	235	12.52	318	1.96	50	2.36	60	3.35	85	12.63	321	6.48	165	1" BSP	2.2	18.7	627
1854-1509-4300	169.25	4299	55.25	1403	224.50	5702	9.53	242	13.69	348	2.76	70	2.75	70	3.35	85	12.63	321	6.48	165	1" BSP	2.1	21.0	680
1854-1509-4640	182.75	4642	58.63	1489	241.38	6131	9.53	242	13.69	348	2.76	70	2.75	70	3.35	85	12.63	321	6.48	165	1" BSP	2.2	22.7	709
1854-1509-5390	212.25	5391	66.00	1676	278.25	7068	9.53	242	13.69	348	2.76	70	2.75	70	3.35	85	12.63	321	6.48	165	1" BSP	2.5	25.3	780
1854-1509-5460	215.00	5461	66.75	1695	281.75	7156	9.53	242	13.69	348	2.76	70	2.75	70	3.35	85	12.63	321	6.48	165	1" BSP	2.6	26.6	788
1854-1509-5780	227.75	5785	70.63	1794	298.38	7579	9.53	242	13.69	348	2.76	70	2.75	70	3.35	85	12.63	321	6.48	165	1" BSP	2.8	28.4	825
1854-1509-6100	240.25	6102	74.00	1880	314.25	7982	9.53	242	13.69	348	2.76	70	2.75	70	3.35	85	12.63	321	6.48	165	1" BSP	2.9	30.0	858
1855-1518-5733	225.63	5731	58.25	1480	283.88	7210	9.53	242	13.69	348	2.76	70	2.48	63	3.35	85	12.63	321	6.48	165	1" BSP	2.6	24.8	755
1855-1518-7233	284.38	7223	70.00	1778	354.38	9001	9.53	242	13.69	348	2.76	70	2.48	63	3.35	85	12.63	321	6.48	165	1" BSP	3.3	31.2	907
2075-1508-7190	283.13	7191	70.00	1778	353.13	8969	10.51	267	13.78	350	2.76	70	2.75	70	3.35	85	12.63	321	6.48	165	1" BSP	3.8	40.7	1023

Phone: +86 519 85185518 E-mail: [sales@flutechhydraulics.com](mailto:sales@flutechhydraulics.com)

©2021 MACRODYNE